

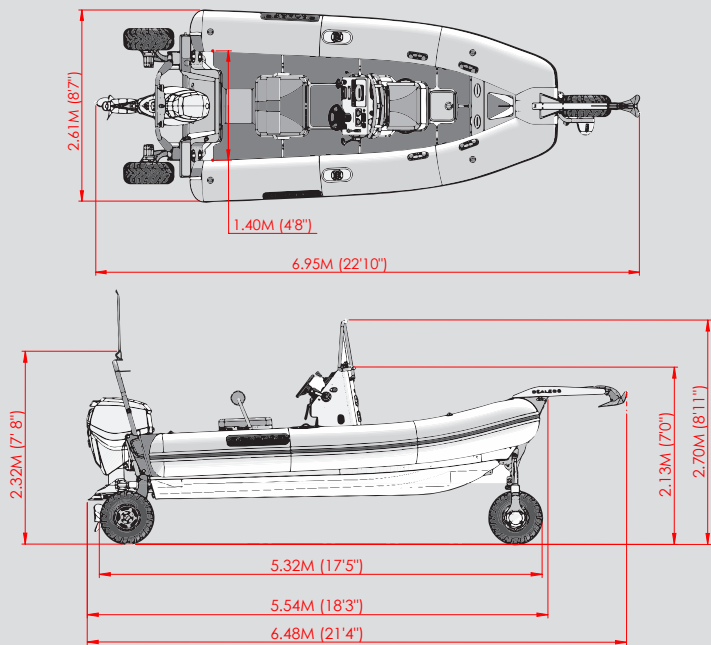
6.1m SPORT RIB



SEALEGS®

BE AMPHIBIOUS

SPECIFICATION



| | |
|-------------------|----------|
| Dry Weight | 1150kg |
| Max Payload | 500kg |
| Fuel Capacity | 80L |
| On-land Engine | 22HP |
| Outboard Capacity | 90-115HP |
| Deadrise | 21° |

BENEFITS

- » Single-person operation
- » Immediate access to water
- » Easier, safer, drier launching
- » No need for boat ramp

SEALEGS TECH

- » All Wheel Drive
- » Power Steering
- » Automatic Brakes
- » Extended Run Time

POPULAR OPTIONS

- » Fusion stereo
- » Simrad GPS/chartplotter
- » Simrad VHF radio
- » Boarding ladder
- » Dual floodlights
- » Helm backrest
- » Anchor pack

6.1M SPORT RIB

Be Amphibious with the 6.1m Sport RIB. The most compact in the Sealegs family, the 6.1m Sport RIB provides all the benefits of Sealegs amphibious craft in an efficient, practical package.

With a carrying capacity of up to 6 people, the 6.1m Sport RIB is perfect for solo or group adventures, and its smaller size allows it to fit in any boat shed or lazarette.

The sport console allows walk-around access to the whole craft, great for fishing and for packing gear.

www.sealegs.com [/sealegs](https://www.facebook.com/sealegs) [@sealegscraft](https://www.instagram.com/sealegscraft) [/sealegsamphibious](https://www.youtube.com/channel/UC...)

© 2002-2017 Sealegs International Ltd. The Sealegs logo and Sealegs wordmark are registered Trademarks of Sealegs. The Sealegs amphibious craft is a registered design. The Sealegs amphibious system is patented. All drawings, photographs, text and 3D renders are copyright of Sealegs. All rights reserved. Sealegs protects its trademarks, patents, copyright, designs and IP rights vigorously.



SEALEGS®
BE AMPHIBIOUS