



Firematic Ford F-550 4x4 Rally BRAT

City of Brigantine
Job #B11116BRG

FEATURES & SPECIFICATIONS

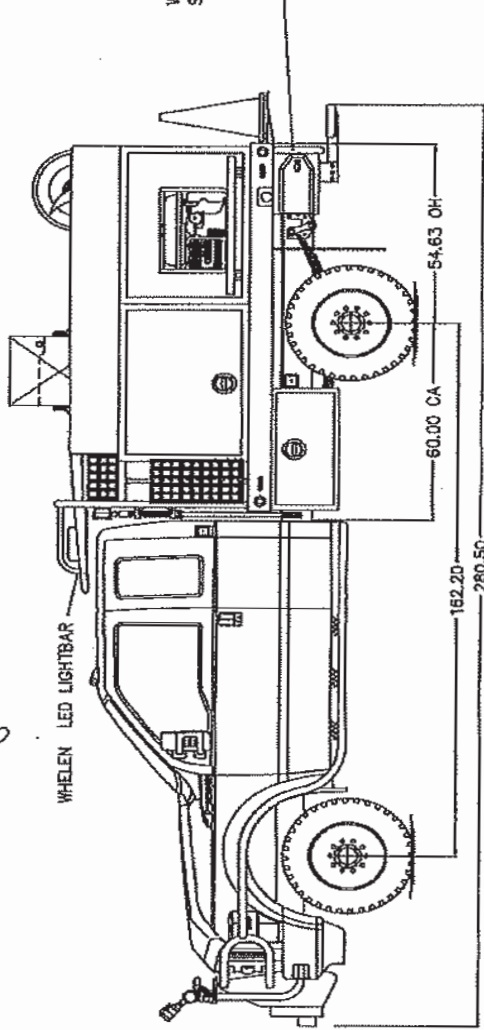
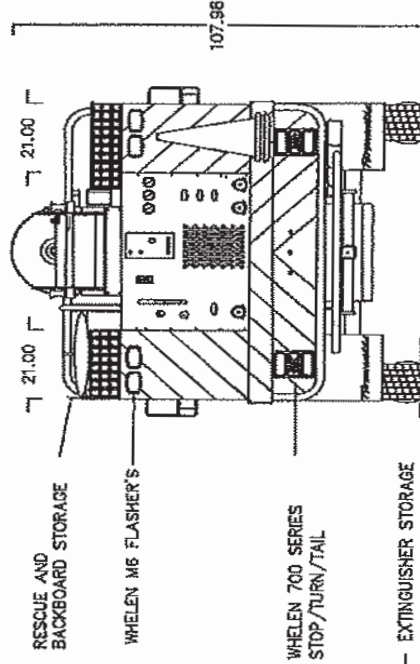
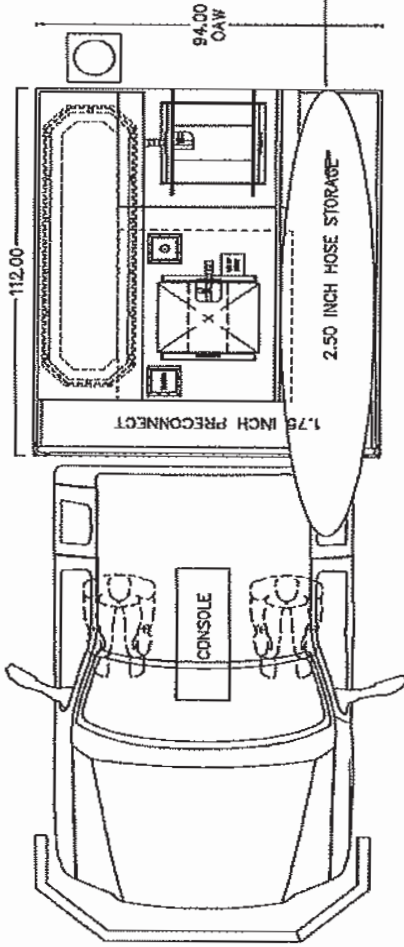
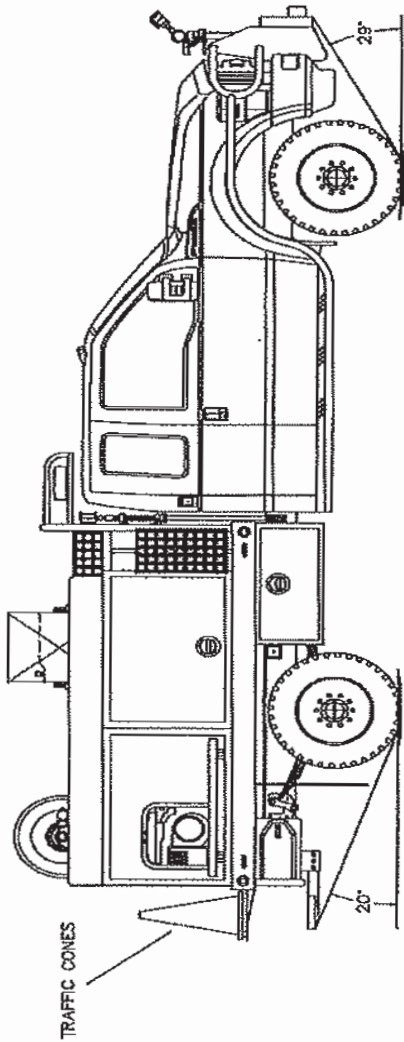
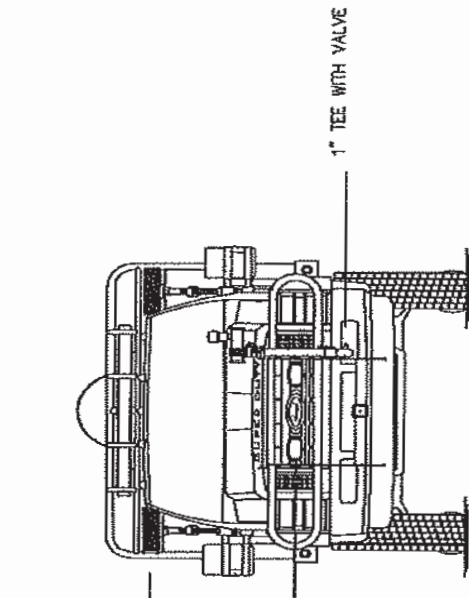
- Ford F-550 Super Duty 4x4 2-Door Chassis
- Ford PowerStroke Diesel Engine
- Firematic Alum. Deck Plate with Painted Aluminum Compts. with Swing-up Doors
- Darley Odin Foam Mongoose Gas CAFS
- 250 Gallons ProPoly Water Tank& 10 Gallon Foam Tank
- 1.5" Diamondplate Front Crosslay & Two (2) Hose Reels
- Front Mounted Elkhart Sidewinder Remote Controlled Gun
- Ladder and Rescue Surfboard mounts
- Delivered July 2015



FIRE & SAFETY SERVICES, LTD.

South Plainfield, NJ

web: www.f-ss.com · phone: 800-400-8017



Firematic MANUFACTURING		JOB NO.	2214
TITLE		DATE	NOV 03, 2014
FOR		CLASS DATA	FPO F-305 DOW GAS
BRAT 550 WILDLAND PUMPER		DRAWN BY	A. ZAROCKY
BRIGANTINE FD		APPROVED BY	B. HORTON
BRIGANTINE, NJ		SHEET NO.	1 / 1

250/10 GALLON POLY-TANK
ODIN CAFS SYSTEM
SUPER SINGLE TOYO TIRE PACKAGE

NOTE
THIS DRAWING IS CONCEPTUAL AND IS NOT AN EXACT REPRESENTATION OF THE TRUCK DRAWING DIMENSIONS SHOWN ARE APPROXIMATE AND ARE SUBJECT TO DEVIATION AS MAY OCCUR OR BE NECESSARY DURING CONSTRUCTION.
SOME DETAILS NOT SHOWN.