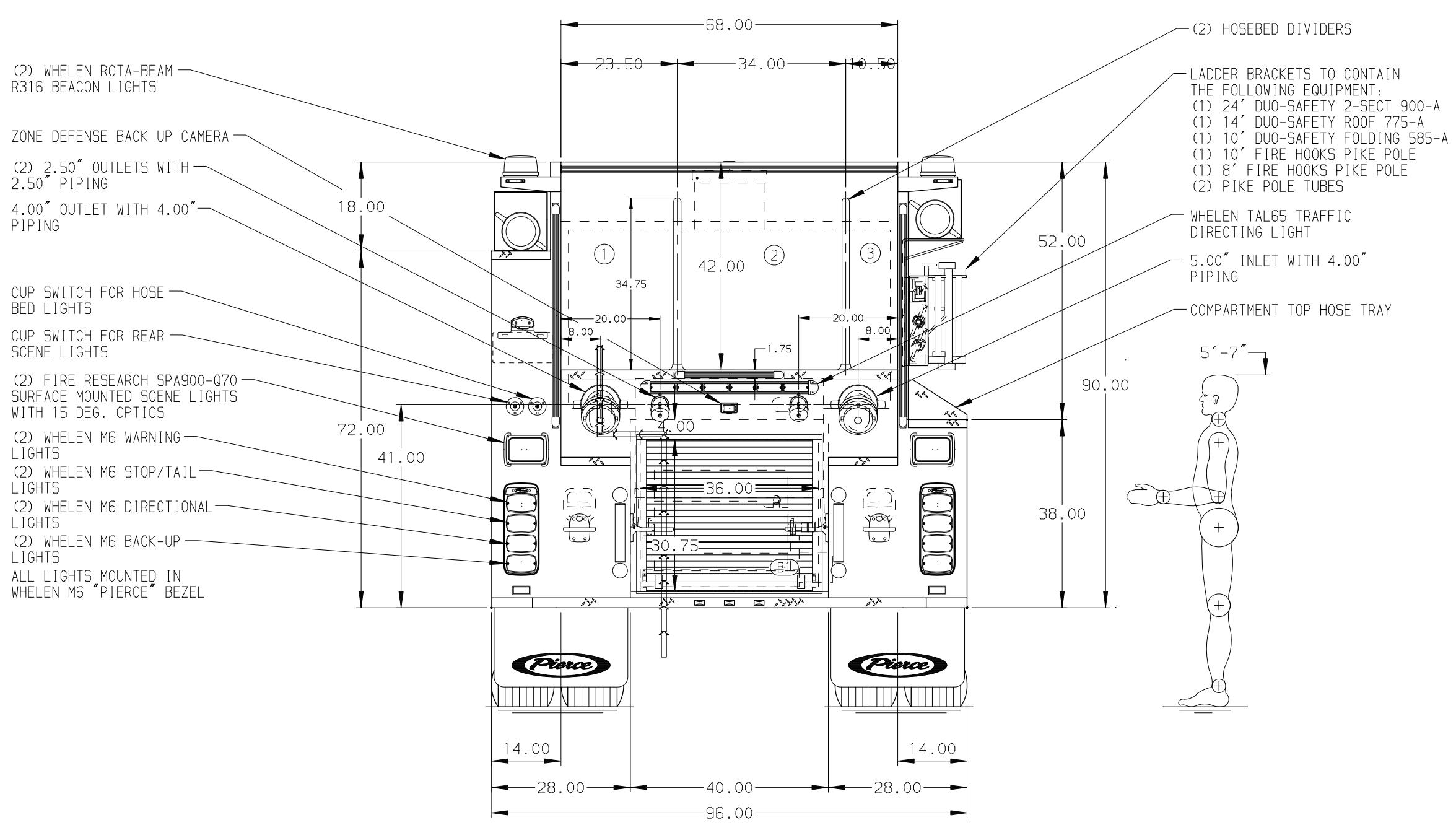
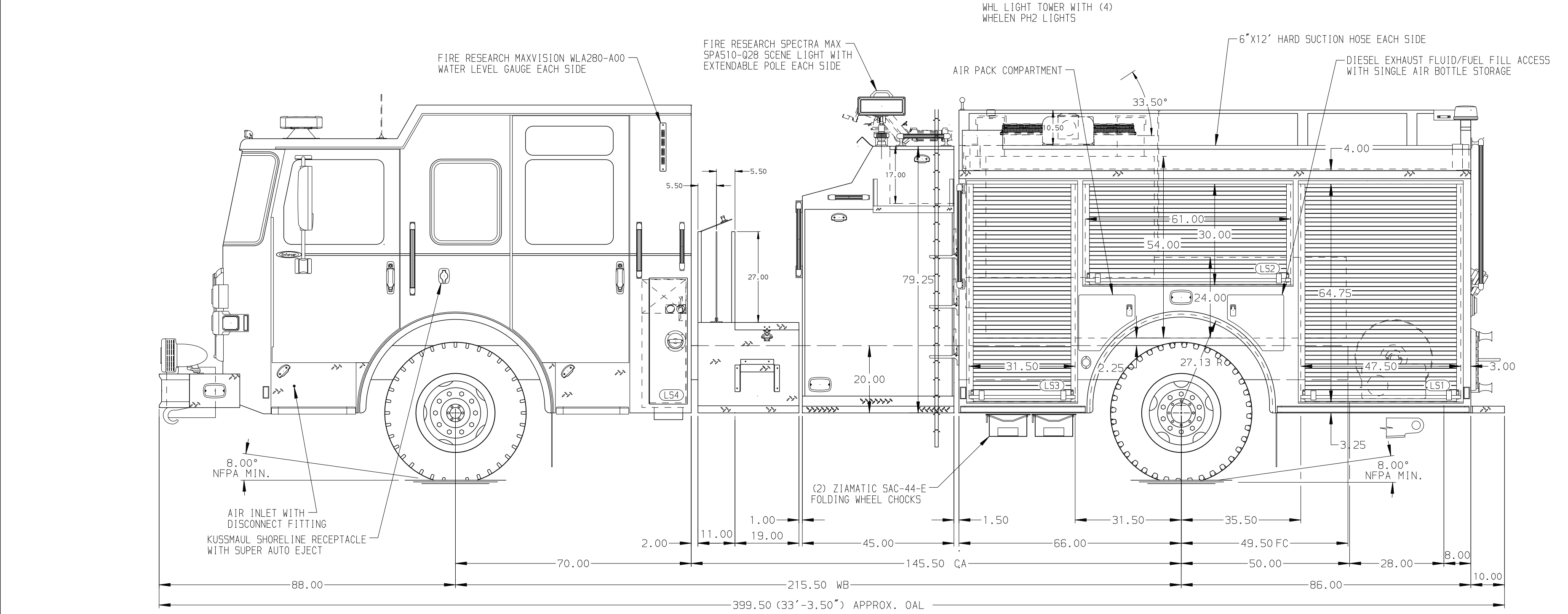


- HOSEBED CAPACITIES
- ① 1000' OF 3.00" D.J. POLY HOSE
  - ② 1200' OF 5.00" D.J. POLY HOSE
  - ③ 500' OF 2.50" D.J. POLY HOSE



ALUMINUM BODY

NOTE  
DIMENSIONS SHOWN ARE APPROXIMATE AND ARE SUBJECT TO MINOR DEVIATIONS AS MAY OCCUR OR BE NECESSARY IN CONSTRUCTION.  
MINOR DETAILS NOT SHOWN.

- 1. MODEL 13 LITTLE GIANT LADDER IN COMPARTMENT-RS1
- 2. HANNAY EF34-23-24 ELECTRIC REWIND BOOSTER REEL WITH A CAPACITY FOR 200' OF 1.00" HOSE IN COMPARTMENT-B1
- 3. MICROPHONE AND SPEAKER COMPARTMENT LOCATED AT THE PUMP OPERATORS PANEL
- 4. BATTERY CHARGER LOCATED PER ORDER
- 5. BATTERY CHARGER/INVERTER LOCATED PER ORDER
- 6. THREE FULL WIDTH/DEPTH ADJUSTABLE SHELVES WITH SIDES LOCATED PER ORDER
- 7. ONE ADJUSTABLE SLIDE-OUT TRAY WITH SIDES LOCATED PER ORDER
- 8. THREE FLOOR MOUNTED SLIDE-OUT TRAYS WITH SIDES LOCATED PER ORDER
- 9. ONE FLOOR MOUNTED SLIDE-OUT TRAY WITH SPECIAL SIDES LOCATED PER ORDER

- 10. ONE SWING-OUT TOOLBOARD WITH PEGBOARD PATTERN LOCATED PER ORDER
- 11. TWO PARTITIONS LOCATED PER ORDER
- 12. PAC TRAC EQUIPMENT MOUNTING SYSTEM ON THE REAR WALL LOCATED PER ORDER
- 13. TWO 120V 7-PLACE RECEPTACLE STRIPS LOCATED IN BODY COMPARTMENT PER ORDER
- 14. ONE 120V 7-PLACE RECEPTACLE STRIP LOCATED PER ORDER

		JOB NO.	37171
		SCALE	DATE
<b>Pierce MANUFACTURING INC.</b>		TITLE	2000-D-770P, 750 GAL WATER W/20 GAL FOAM CELL 152" PUMPER BODY, LS FH FDLR, RS LOW, 45" TOP MOUNT
FOR BOROUGH OF LINCOLN PARK LINCOLN PARK, NJ		DRAWN BY	BST 08MAR22
DWG NO. 37171AD		CHECKED BY	PHA 08MAR22
REV DATE BY CH ENFORCER		SHEET SIZE	SHEET NO.
31MAY22 BST COS 05MAY22 BST COS 17MAR22 BST PHA		D	1 OF 1