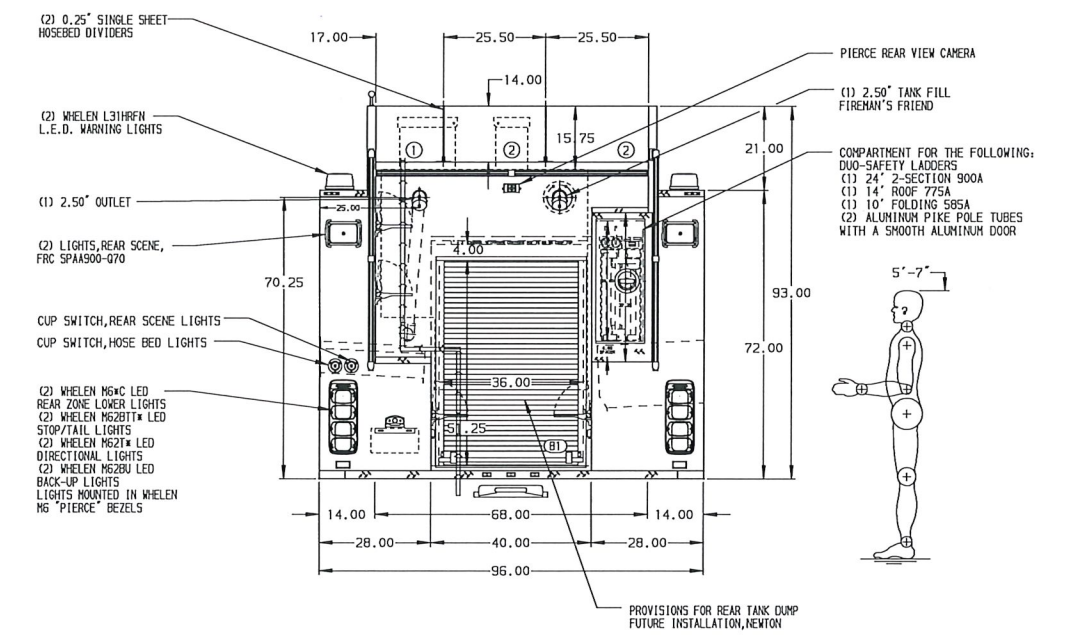


- HOSEBED CAPACITIES**
- ① 400' OF 2.50" D.J. HOSE
 - ② 1000' OF 5.00" D.J. HOSE



ALUMINUM BODY

NOTE
DIMENSIONS SHOWN ARE APPROXIMATE AND ARE SUBJECT TO MINOR DEVIATIONS AS MAY OCCUR OR BE NECESSARY IN CONSTRUCTION.
MINOR DETAILS NOT SHOWN.

		JOB NO.	
		SCALE	DATE
CHASSIS DATA	TITLE	1500-D-980P, W/20 GAL FOAM SYSTEM	
	FOR	PIERCE FIELD UNIT BRADENTON, FLORIDA	
DWG NO.	DRWN BY	RHU	20APR23
	CHECKED BY		
REV	DATE	BY	SHEET NO.
			D 1 OF 1

CHASSIS DATA	TITLE	1500-D-980P, W/20 GAL FOAM SYSTEM
MAKE	FOR	PIERCE FIELD UNIT BRADENTON, FLORIDA
PIERCE	DRWN BY	RHU
MODEL	CHECKED BY	
SABER FR	DATE	