



Pierce Arrow XT PUC Pumper
Port Authority of New York/New Jersey
Job #37526

FEATURES & SPECIFICATIONS

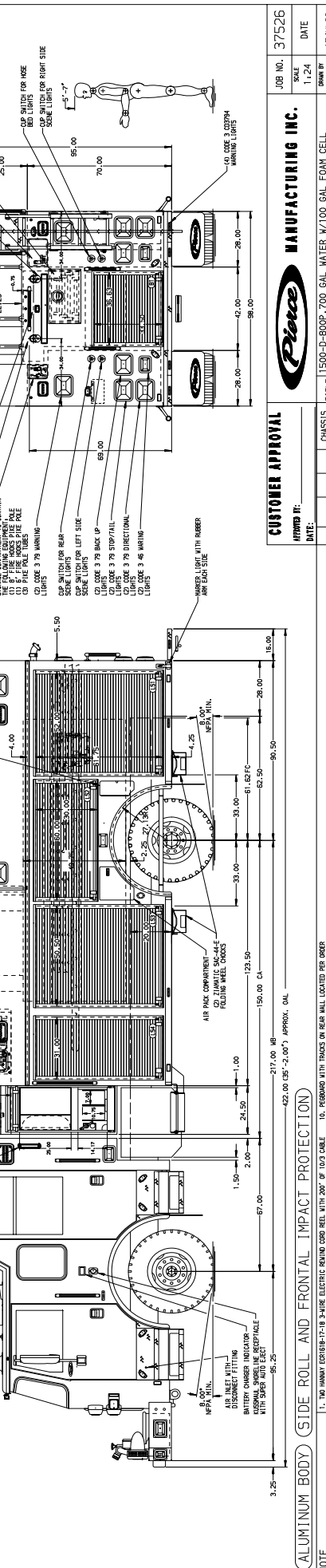
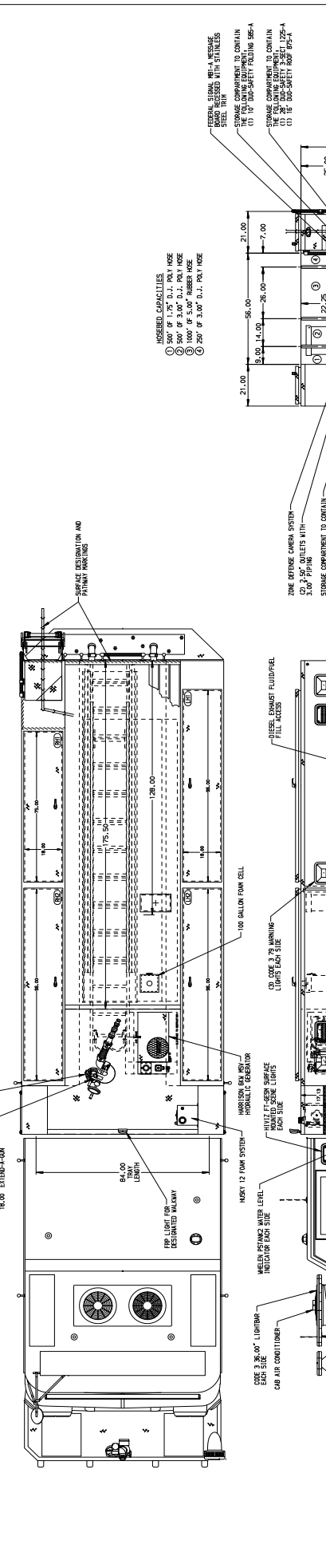
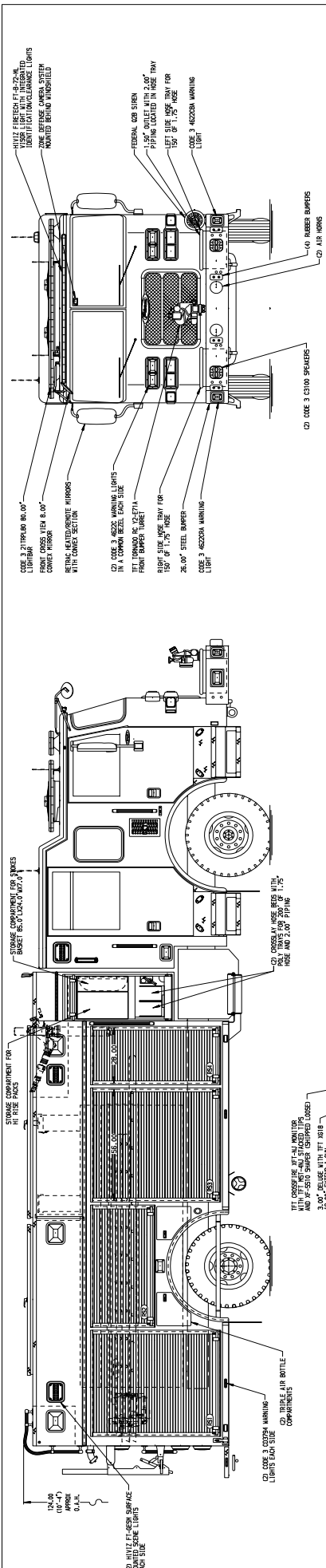
- Pierce Arrow XT 67" Chassis with a 10" Raised Roof
- Cummins X12 500hp 2021 EPA compliant Engine
- Allison EVS4000P Automatic Transmission
- TAK-4 Independent Front Suspension
- Pierce PUC 1500 GPM Single Stage Pump
- 700 Gallon Poly Water Tank/100 Gallon Foam Tank
- Husky 12 Single Agent Foam System
- Harrison MSV 6kw Hydraulic Generator
- Custom Tool Mounting and Fabrication by Fire & Safety Services.
- Delivered in November 2023



**FIRE & SAFETY
SERVICES**

South Plainfield, NJ
www.f-ss.com · 800-400-8017





ALUMINUM BODY SIDE ROLL AND FRONTAL IMPACT PROTECTION

NOTE
 1. TOP RAILWAY CROSS-BARS 1-1/8\"/>

CUSTOMER APPROVAL

APPROVED BY:	DATE:

MANUFACTURING INC.

JOB NO. 37526

SCALE 1:1.24

DATE 07 JUL 22

DRWN BY BST

07 JUL 22

CHKD BY

07 JUL 22

FOR PORT AUTHORITY OF NEW YORK AND NEW JERSEY

PIERCE

MODEL

DWG

37526AD

SHEET NO. 1 OF 1