



FIRE TRUCKS



BME Chevy Type 6 Extreme Sawtooth

BME Demo

AVAILABLE FOR SALE

FEATURES & SPECIFICATIONS

- Chevy Silverado 4x4 4dr Chassis
- Darley 1-1/2AGE 24K Portable Pumpw/Kubota D902 Diesel watercooled engine.
- 300 Gallon Poly Water Tank
- Hannay Reel & 2" rear discharge
- Thank you BME Fire Trucks



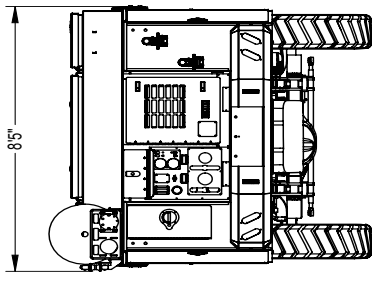
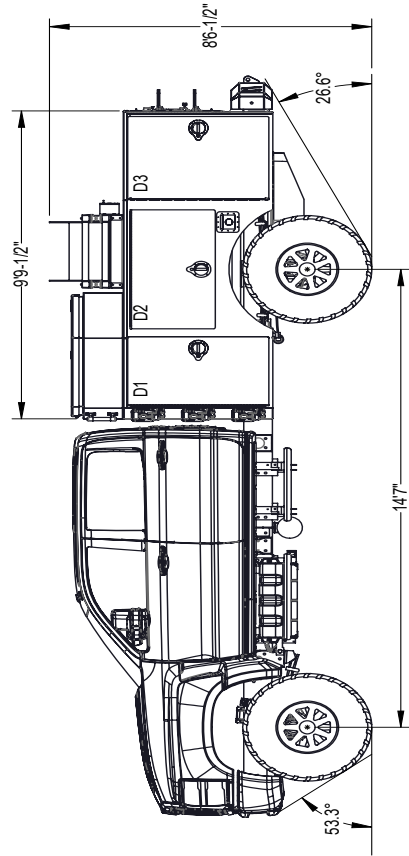
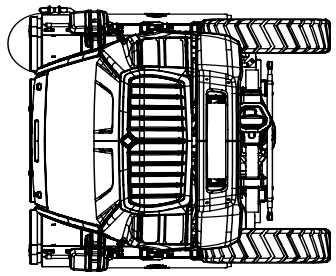
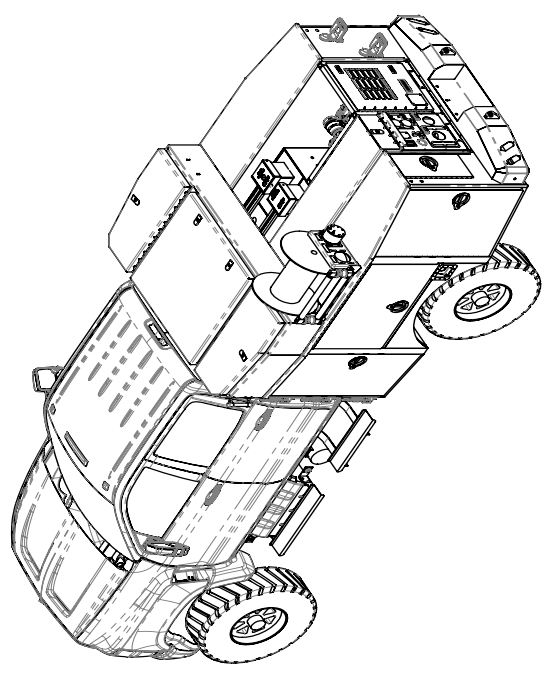
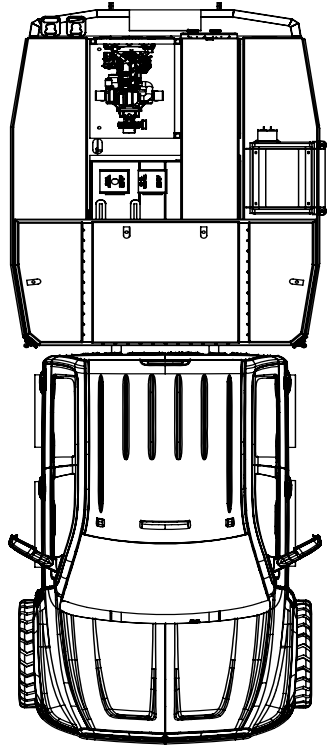
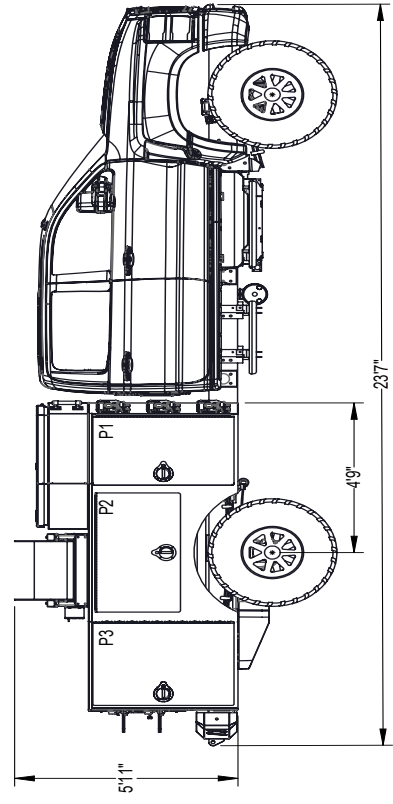
**FIRE & SAFETY
SERVICES**

South Plainfield, NJ
www.f-ss.com · 800-400-8017



1 2 3 4 5 6 7 8 9 10 11

DRIVERS STORAGE COMPARTMENTS				
LETTER	WIDTH (W)	HEIGHT (H)	DEPTH (D)	CAPACITY
D1	25	42	18	10.94
D2	43	25	21	13.06
D3	30	42	18	13.13
TOTAL (CUBIC FEET)				37.13
PASSENGERS STORAGE COMPARTMENTS				
LETTER	WIDTH (W)	HEIGHT (H)	DEPTH (D)	CAPACITY
P1	25	42	18	10.94
P2	43	25	21	13.06
P3	30	42	18	13.13
TOTAL (CUBIC FEET)				37.13



INITIALS		DATE	
MOLD BY: MT	08/15/2023		
REVISIONS			
REVISED BY: XX	XX-XX-XXXX	XXXXXX	
UNLESS OTHERWISE SPECIFIED DIMENSIONS ARE IN INCHES TO NEAREST FRACTIONAL 1/16			
PROPRIETARY AND CONFIDENTIAL THIS DRAWING IS THE PROPERTY OF BME FIRE TRUCKS, ITS SUBMISSION DOES NOT INCLUDE OR CARRY THE RIGHT TO MAKE, USE OR SELL WHAT IS ILLUSTRATED WITHOUT THE WRITTEN CONSENT OF BME FIRE TRUCKS.			
CUSTOMER NAME: CUSTOMER			
TANK INFORMATION: WATER TANK			
FOAM A: FOAM A			
FOAM B: FOAM B			
DESCRIPTION: TOP LEVEL 3780 CHEVY SAW TOOTH			
REV: A			
SHEET 1 OF 1			

BME FIRE TRUCKS
 4800 S. APPLE ST. BOISE, ID 83716
 WWW.BMEFIRE.COM (800) 445-8342

FIRE TRUCKS
 UNLESS OTHERWISE SPECIFIED DIMENSIONS ARE IN INCHES TO NEAREST FRACTIONAL 1/16

DO NOT SCALE DRAWING

F E D C B

A

1 2 3 4 5 6 7 8 9 10 11