



Skeeter Ford F550 Type 5 Wildcat
Skeeter Demo - Sold
Job #14944

FEATURES & SPECIFICATIONS

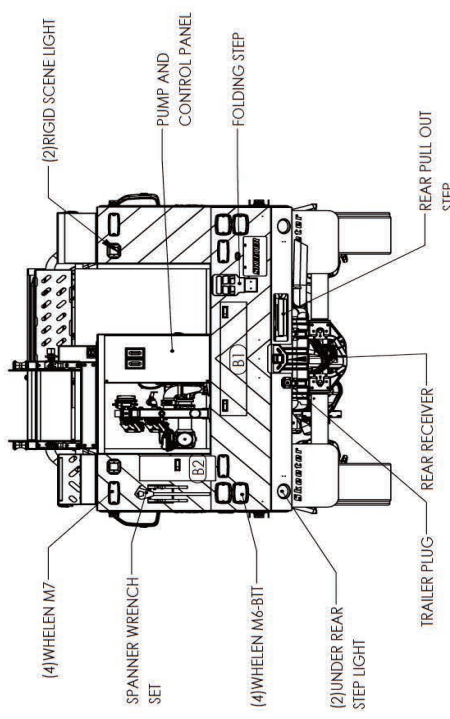
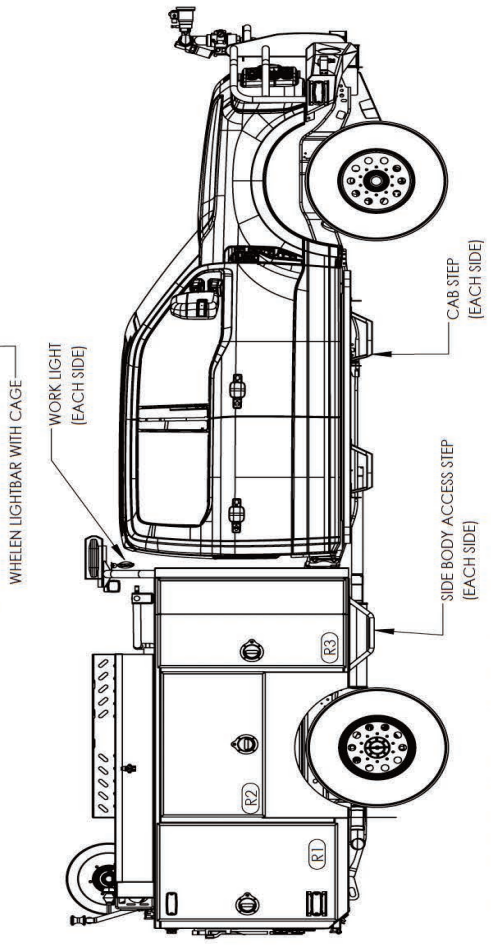
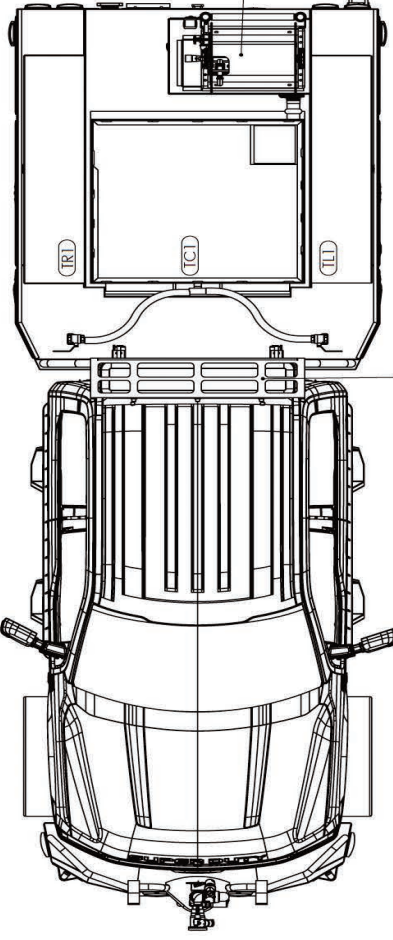
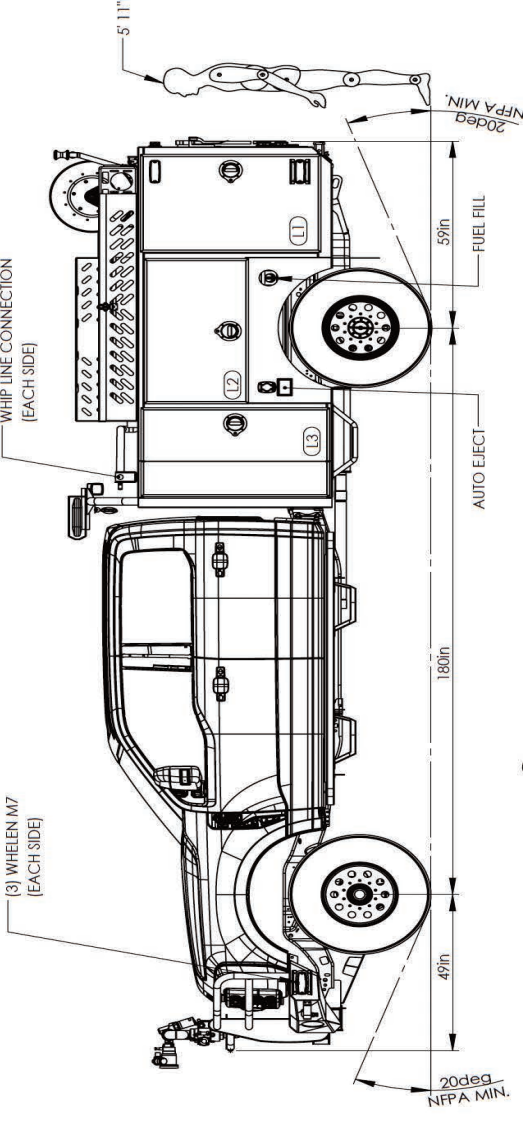
- Ford F550 4x4 Chassis
- Hale HPX200-B18 Pump
- 400 Gallon Poly Water Tank
- Hannay Reel, Front bumper monitor & (2) ground sweeps
- FoamPro 1601 Foam System
- Thank you Skeeter Emergency Vehicles



**FIRE & SAFETY
SERVICES**

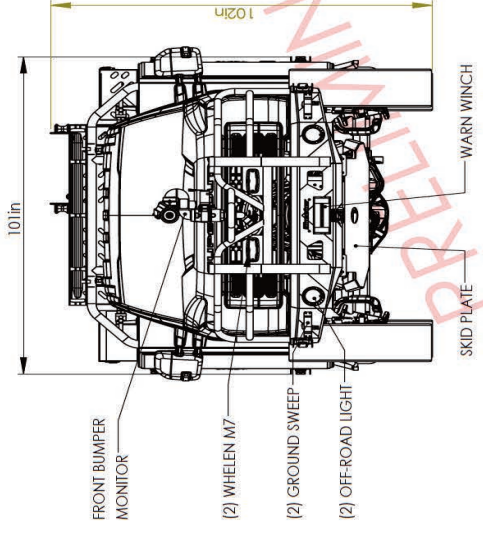
South Plainfield, NJ
www.f-ss.com · 800-400-8017





NWCG TYPE 5 WILDLAND ENGINE

CHASSIS:	F-550 CREW CAB
BODY:	114 RSQ SQD
FRONT BUMPER:	SKEEETER CUSTOM ALUMINUM
PUMP:	HALE HPX200-B18
WATER TANK:	400 GALLONS WATER



PROPERTY OF SKEEETER EMERGENCY VEHICLES

NOTE: DETAILS AND DIMENSIONS SHOWN ARE APPROXIMATE AND ARE SUBJECT TO MINOR DEVIATIONS AS MAY OCCUR OR BE NECESSARY IN CONSTRUCTION. MINOR DETAILS NOT SHOWN.

PREPARED FOR:

SKEEETER EMERGENCY VEHICLES

JOB NO. 14944

TITLE:

OVERVIEW

SPEC NO. 1006

DRAWN BY: RUSSELL L.

SCALE: 1:40

SPEC DATE: 1/31/2024

PRINT DATE: 2/18/2024

SHEET 2 OF 3