



Pierce Enforcer Pumper
Township of Sparta
Job #38768

FEATURES & SPECIFICATIONS

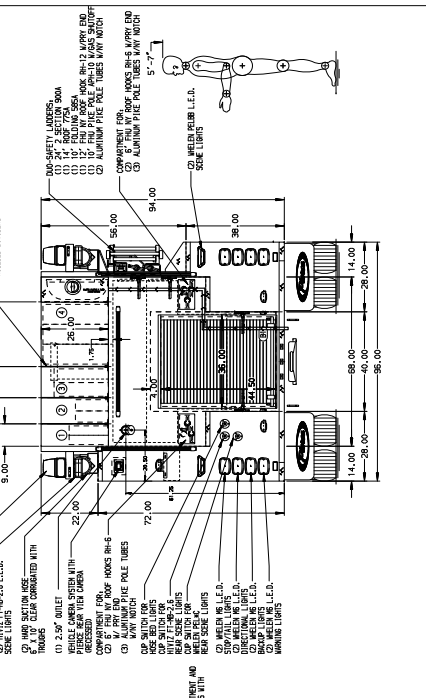
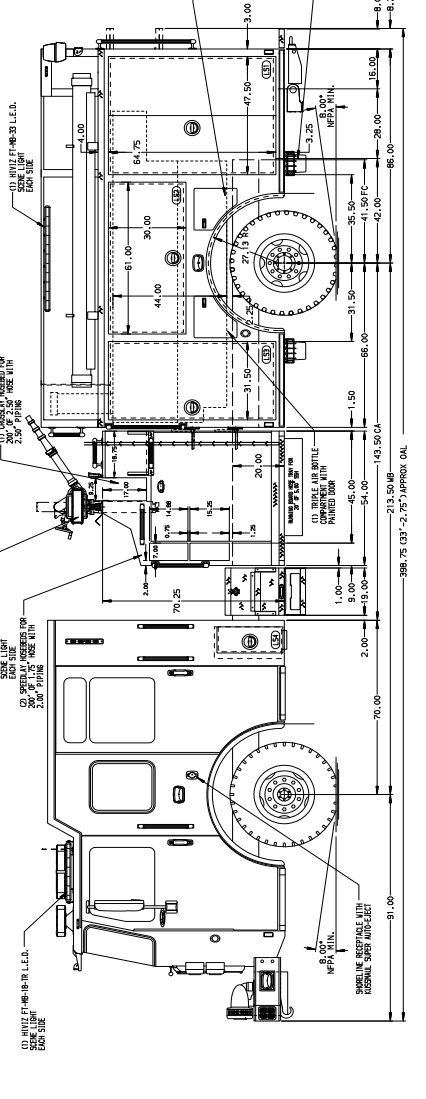
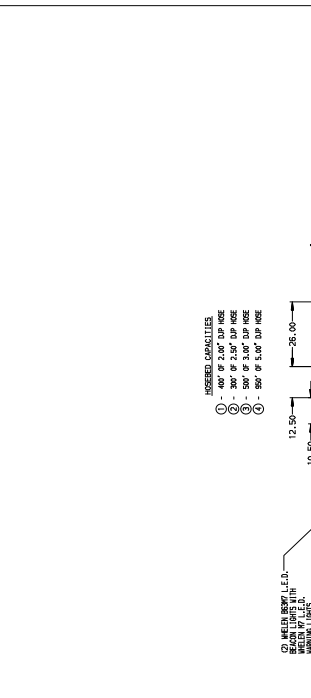
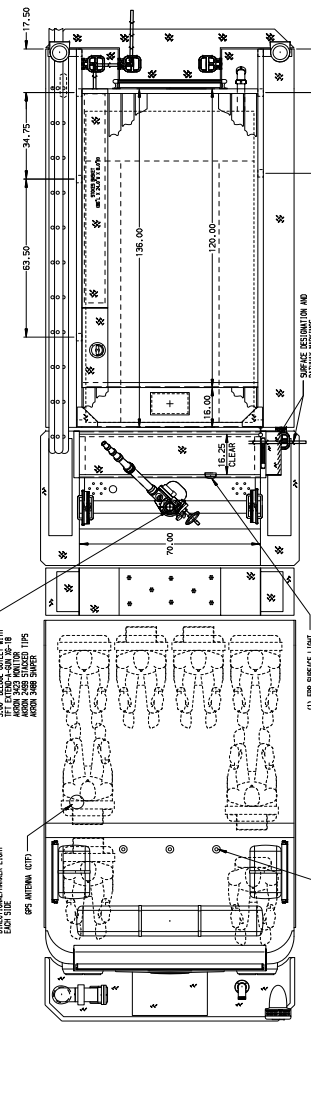
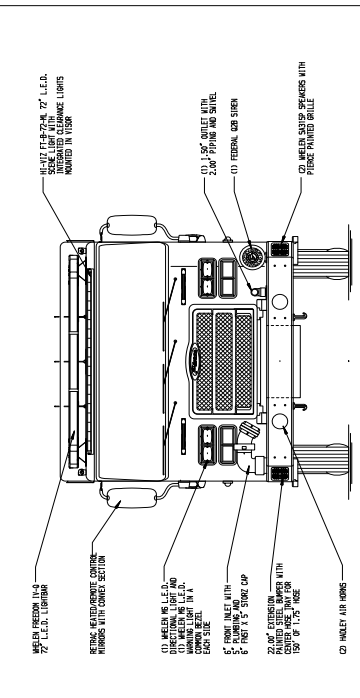
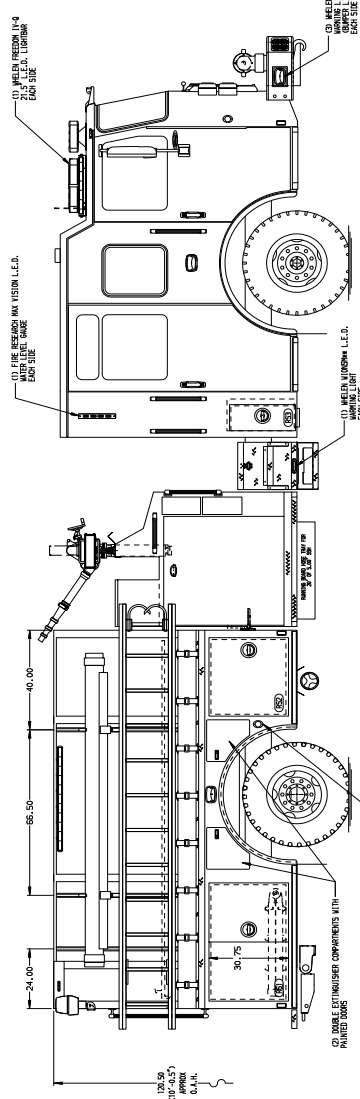
- Pierce Enforcer 70" Chassis with a 10" Raised Roof
- Cummins X12 500hp 2024 EPA compliant Engine
- Allison EVS4500P Automatic Transmission
- Meritor Front and Rear Axles
- Hale QMAX 2000 GPM Single Stage Pump
- 1000 Gallon Poly Water Tank
- Delivered in January 2025



**FIRE & SAFETY
SERVICES**

South Plainfield, NJ
www.f-ss.com · 800-400-8017





ALUMINUM BODY

MAXIMUM O. A. L. 400.00

SIDE ROLL PROTECTION

NOTE: DIMENSIONS SHOWN ARE APPROXIMATE AND ARE SUBJECT TO MINOR DEVIATIONS AS MAY OCCUR OR BE NECESSARY IN CONSTRUCTION. MINOR DETAILS NOT SHOWN.

CHASSIS DATA	PHA	SM	CO5	PH	CH	ENFORCER NO.
010K24	SM	CO5	PH	CH	ENFORCER NO.	
1430K24	SM	CO5	PH	CH	ENFORCER NO.	
240K24	SM	CO5	PH	CH	ENFORCER NO.	
1230K24	SM	CO5	PH	CH	ENFORCER NO.	
RET	DATE	BY	CHK	DATE	BY	CHK

CHASSIS TITLE 2000RPM, 1000G TANK, 1000G WATER PUMPER, HARDIMREED
 TITLE 152' PUMPER, HARDIMREED
 FOR SPARTA TOWNSHIP FIRE DEPARTMENT
 FOR SPARTA, NEW JERSEY

MANUFACTURING INC.
 38768AD

JOB NO.	38768
SCALE	1:24
DATE	15MAR24
DRAWN BY	PH
CHECKED BY	PH
SHEET NO.	1 OF 1